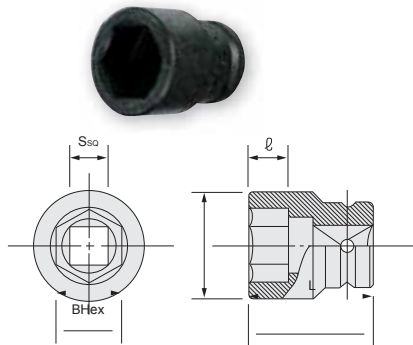


ASSEMBLY TOOLS

ACCESSORIES

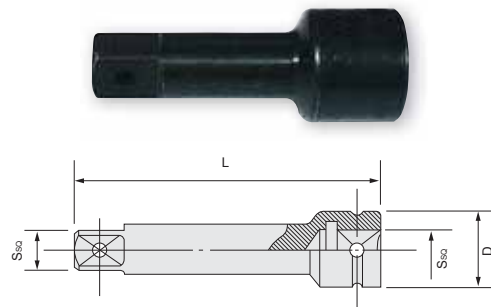
HEXAGONAL SOCKETS



AC N°	Bolt Size		Size					Models
	M	W	S (SQ) mm (in)	B (Hex) mm	L mm	l mm	D mm	
1101	4	-	9.53 (3/8)	7	20	4	13	FET-4-7, FL4-7, FLT-4-7, FL 4S-6S, FLT-4S-6S, FW-5 FW-6, 44-66
1102	5	-		8	25	5	13	
1103	6	1/4		10	25	7	16	
1104	7	-		11	25	7	18	
1133	8	-		12	25	8	19	
1105	8	-		13	27	8	20	
1106	-	5/16	14	27	8	22	FET9-13 FL9-13 FLT9-20S FW-6PH-11 FW-8 FW-88, 10, 14 except for FW-14PH-3	
2101	6	1/4	10	35	7	18		
2118	8	-	12	35	8	21		
2102	8	-	13	35	8	21		
2103	-	5/16	14	38	9	23		
2104	10	3/8	17	38	10	27		
2105	12	7/16	19	40	12	30		
2106	-	1/2	21	40	14	33		
2107	14	-	22	43	14	34		
4102	-	1/2	21	50	13	33		
4103	14	-	22	50	14	35		
4104	16	-	24	53	14	38		
4105	-	5/8	26	53	15	40		
4106	18	-	27	53	15	42		
4107	20	-	30	55	16	46		
4108	22	3/4	32	55	18	49		
5104	-	7/8	35	62	19	55	FW-250-1, 1C FW-250P-1 FW-320 FW-420	
5105	24	-	36	62	19	56		
5106	27	1	41	68	26	63		
5107	30	1-1/8	46	72	26	69		
5108	33	1-1/4	50	75	28	73		
5109	-	1-3/8	54	80	28	78		
5110	36	-	55	80	28	80		
5111	-	1-1/2	58	80	31	83		
5112	39	-	60	80	32	86		
6105	36	-	55	82	27	83	FW-420-2, 2C	
6106	-	1-1/2	58	85	28	87		
6107	39	-	60	88	30	89		
7107	-	1-5/8	63	100	30	96	FW-50-7	
7108	42	-	65	100	32	98		
7109	-	1-3/4	67	100	33	101		
7110	45	-	70	100	34	104		
7112	48	-	75	105	36	109		
7113	-	2	77	105	38	112		
8110	-	2	77	128	38	122	FW-75-7 FW-100-1	
8112	56	2-1/4	85	132	43	130		
8114	64	2-1/2	95	140	49	145		
8115	68	-	100	152	52	150		
8116	72	-	105	154	54	168		
8117	-	3	110	160	60	168		
8120	90	3-1/2	130	170	70	192		
8122	100	4	145	180	79	213		

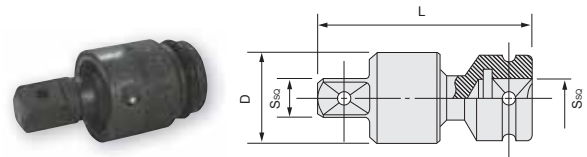
* Other socket sizes are available on request.
FPT-110-770
FLT-4-1-5-1.

EXTENSION BARS



AC N°	Size			Models
	S (SQ) mm (in)	L mm	D mm	
201	9.53 (3/8)	50	19	FET-4-7, FL4-7, FLT-4-7, FL 4S-6S, FLT-4S-6S, FW-5 FW-6, 44-66
1202		75		
1203		100		
1204		150		
2201	12.7 (1/2)	50	25	FET9-13, FL9-13 FLT9-20S, FW-6PH-11, FW-8, FW-88, 10, 14 except for FW-14PH-3
2202		75		
2203		100		
2204		150		
4201	19.0 (3/4)	75	37	FET-16, FPT-1660, FPW-1660, 2220 FW-19, FW-250-2, 2C, FW-250P-2
4202		100		
4203		150		
4204		200		
5201	25.4 (1)	100	49	FW-250-1, 1C FW-250P-1 FW-320 FW-420
5202		160		
5203		200		
5204		300		
6201	31.8 (1 1/4)	150	62	FW-420-2, 2C
6202		200		
6203		250		
6204		300		
7204	38.1 (1 1/2)	200	69	FW-50-7
7201		300		
8201	63.5 (2 1/2)	300	130	FW-75-7
8202		457		

UNIVERSAL JOINTS



AC N°	Size			Models
	S (SQ) mm (in)	L mm	D mm	
1501	9.53 (3/8)	48	24	FET-4-7, FL4-7, FLT-4-7, FL 4S-6S, FLT-4S-6S, FW-5, FW-6, 44-66
2502	12.7 (1/2)	68	32	FET9-13, FL9-13 FLT9-20S, FW-6PH-11, FW-8, FW-88, 10, 14 except for FW-14PH-3
4502	19.0 (3/4)	112	52	FET-16, FPT-1660, FPW-1660, 2220 FW-19, FW-250-2, 2C, FW-250P-2
5502	25.4 (1)	128	61	FW-250-420
6502	31.8 (1 1/4)	151	74	FW-420-2, 2C
7503	38.1 (1 1/2)	202	102	FW-50-7

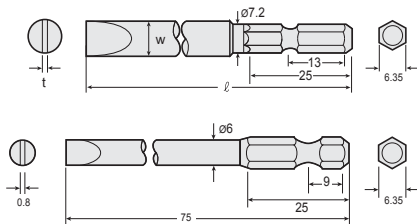
ACCESSORIES

BITS SELECTION GUIDE

Fuji offers two types of screwdriver bits according to their neck length. Select suitable models or bits using the following table. Our screwdriver bits are available in three different categories of hardness to cover almost all applications: H (hard), G (standard), E (soft). The most common hardness bit are listed. Other hardness's are available on request.

Group	Models
(1)	FPT-110D-10, 110SD-10, 330SD-10, FLT-4D-10-6D-10, 4SD-10-6SD-10
	FPW-110D-10, 110SD-10, 330SD-10, FL-4D-10-6D-10, 4SD-10-6SD-10
	FW-6SXD-70, 80, 6SXD-60, 5PXD-60, 6PMD-10, 6PLD-10, 6PXD-60, 6PHD-10, 44SAD-10, 66SAD-10, 44PAD-20, 66PAD-20
(2)	FET-4D-1-6D-1, FPT-110D-1, 110SD-1, 330SD-1, FLT-4D-1-6D-1, 4SD-1-6SD-1
	FPW-110D-1, 110SD-1, 330SD-1, FL-4D-1-6D-1, 4SD-1-6SD-1
	FW-6SXD-7, 8, 6SXD-6, 5PXD-6, 6PMD-1, 6PLD-1, 6PXD-6, 6PHD-1, 44SAD-1, 66SAD-1, 44PAD-2, 66PAD-2, FD-4, 5, 4P, 5P

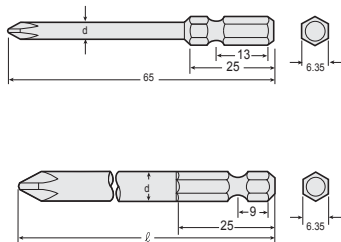
SLOTTED BITS



Thickness mm	Width mm	Length mm	Hardness	AC N°	Model Group
0.8	6	45	G	A166045	(1)
0.8	6	70	G	A166070	(1)
1.0	8	45	G	A168045	(1)
1.0	8	70	G	A168070	(1)
1.2	10	52	G	A161052	(1)
1.2	10	70	G	A161070	(1)
0.8	6	75	E	B356075	(2)

*Minimum order required : 100pcs. per item.

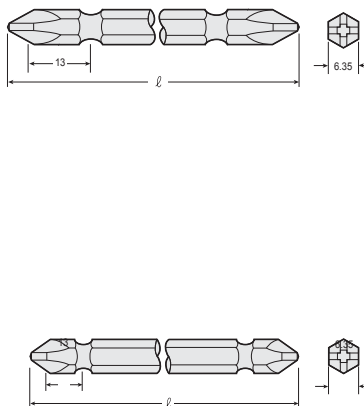
CROSS RECESSED BITS SINGLE-ENDED



Diameter mm	Point Size	Length mm	Hardness	AC N°	Model Group
3	1	65	H	A161065	(1)
4.5	2	65	H	A162065	(1)
7	1	50	H	B351050	(2)
7	1	75	H	B351075	(2)
4.5	1	100	H	B351100	(2)
7	2	50	G	B352050	(2)
7	2	75	G	B352075	(2)
7	2	100	G	B352100	(2)
7	2	150	G	B352150	(2)
4.5	2	100	H	B252100	(2)
7	3	75	E	B353075	(2)
7	3	100	E	B353100	(2)
7	3	150	G	B353150	(2)

*Minimum order required : 100pcs. per item.

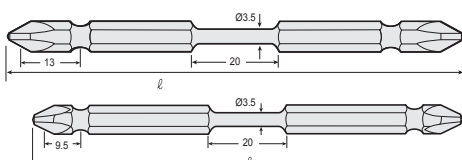
CROSS RECESSED BITS DOUBLE-ENDED



Point Size	Length mm	Hardness	AC N°	Model Group
1	45	H	A141045	(1)
1	65	H	A141065	(1)
1	110	H	A141110	(1)
2	45	G	A142045	(1)
2	65	G	A142065	(1)
2	110	G	A142110	(1)
2	150	G	A142150	(1)
2	200	G	A142200	(1)
2	300	G	A142300	(1)
3	45	E	A143045	(1)
3	65	E	A143065	(1)
3	110	E	A143110	(1)
1	75	H	B431075	(2)
2	50	H	B432050	(2)
2	75	G	B432075	(2)
2	100	G	B432100	(2)
2	150	G	B432150	(2)
2	200	G	B432200	(2)
3	75	E	B433075	(2)
3	100	E	B433100	(2)

*Minimum order required : 100pcs. per item.

CROSS RECESSED BITS DOUBLE-ENDED TORSION TYPE



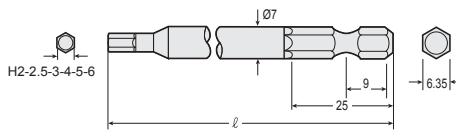
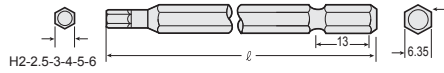
Diameter mm	Point Size	Length mm	Hardness	AC N°	Model Group
3.5	2	65	H	AT142065	(1)
3.5	2	110	H	AT142110	(1)
3.5	2	75	H	BT432075	(2)
3.5	2	100	H	BT432100	(2)

*Minimum order required : 100pcs. per item.

ASSEMBLY TOOLS

ACCESSORIES

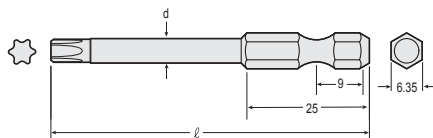
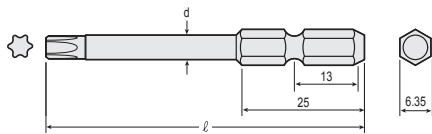
ALLEN BITS



Point Size	Length	Hardness	AC N°	Model Group
	mm			
2	65	H	A16H2065	(1)
2	110	H	A16H2110	(1)
2.5	65	H	A16H25065	(1)
2.5	110	H	A16H25110	(1)
3	65	H	A16H3065	(1)
3	110	H	A16H3110	(1)
4	65	H	A16H4065	(1)
4	110	H	A16H4110	(1)
5	65	G	A16H5065	(1)
5	110	G	A16H5110	(1)
6	65	G	A16H6065	(1)
6	110	G	A16H6110	(1)
2	75	H	B35H2075	(2)
2	100	H	B35H2100	(2)
2.5	75	H	B35H25075	(2)
2.5	100	H	B35H25100	(2)
3	75	H	B35H3075	(2)
3	100	H	B35H3100	(2)
4	75	H	B35H4075	(2)
4	100	H	B35H4100	(2)
5	75	G	B35H5075	(2)
5	100	G	B35H5100	(2)
6	75	G	B35H6075	(2)
6	100	G	B35H6100	(2)

*Minimum order required : 100pcs. per item.

TORX® BITS

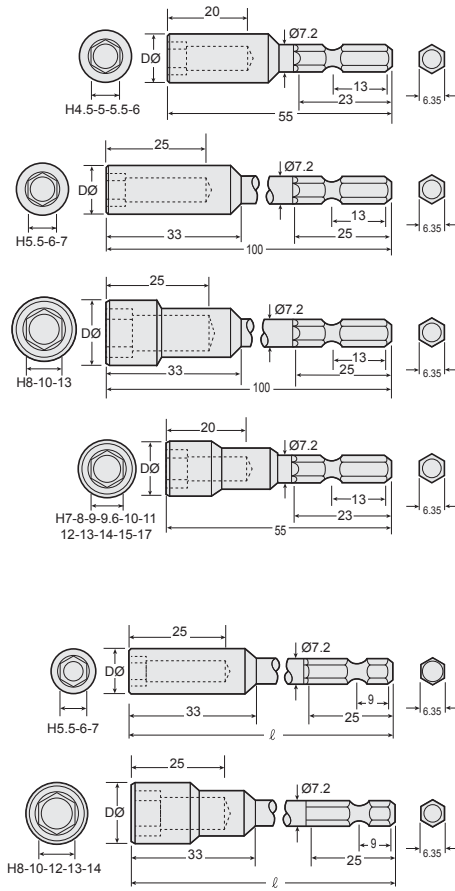


Point Size	Length	Body Diameter	AC N°	Model Group
	mm			
T6	65	4.0	VT6065	(1)
T8	65	4.5	VT8065	(1)
T8	110	4.5	VT8110	(1)
T10	65	4.5	VT10065	(1)
T10	110	4.5	VT10110	(1)
T15	65	4.5	VT15065	(1)
T15	110	4.5	VT15110	(1)
T20	65	5.0	VT20065	(1)
T20	110	5.0	VT20110	(1)
T25	65	5.0	VT25065	(1)
T25	110	5.0	VT25110	(1)
T27	65	5.5	VT27065	(1)
T27	110	5.5	VT27110	(1)
T30	65	6.0	VT30065	(1)
T30	110	6.0	VT30110	(1)
T40	65	H6.35	VT40065	(1)
T40	110	H6.35	VT40110	(1)
T6	75	4.0	JT6075	(2)
T6	100	4.0	JT6100	(2)
T8	75	4.5	JT8075	(2)
T8	100	4.5	JT8100	(2)
T10	75	4.5	JT10075	(2)
T10	100	4.5	JT10100	(2)
T15	75	4.5	JT15075	(2)
T15	100	4.5	JT15100	(2)
T20	75	5.0	JT20075	(2)
T20	100	5.0	JT20100	(2)
T25	75	5.0	JT25075	(2)
T25	100	5.0	JT25100	(2)
T27	75	5.5	JT27075	(2)
T27	100	5.5	JT27100	(2)
T30	75	6.0	JT30075	(2)
T30	100	6.0	JT30100	(2)
T40	75	7.0	JT40075	(2)
T40	100	7.0	JT40100	(2)
T45	75	8.0	JT45075	(2)
T45	100	8.0	JT45100	(2)

*Minimum order required : 100pcs. per item.

ACCESSORIES

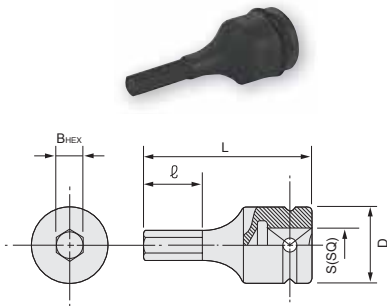
SOCKET HEAD BITS



Point Size	Length mm	Body Diameter mm	AC N°	Model Group
4.5	55	7.5	A2045055	(1)
5	55	8.5	A205055	(1)
5.5	55	10	A2055055	(1)
5.5	100	10	A2055100	(1)
6	55	10	A206055	(1)
6	100	10	A206100	(1)
7	55	13	A207055	(1)
7	100	13	A207100	(1)
8	55	13	A208055	(1)
8	100	13	A208100	(1)
9	55	16	A209055	(1)
10	55	16	A2010055	(1)
10	100	16	A2010100	(1)
11	55	16	A2011055	(1)
12	55	19	A2012055	(1)
12	100	19	A2012100	(1)
13	55	19	A2013055	(1)
13	100	19	A2013100	(1)
14	55	20	A2014055	(1)
15	55	22	A2015055	(1)
17	55	23	A2017055	(1)
5.5	75	10	B4555075	(2)
5.5	100	10	B4555100	(2)
6	100	10	B456100	(2)
7	75	13	B457075	(2)
7	100	13	B457100	(2)
8	75	13	B458075	(2)
8	100	13	B458100	(2)
8	150	13	B458150	(2)
10	75	16	B4510075	(2)
10	100	16	B4510100	(2)
10	150	16	B4510150	(2)
12	100	18	B4512100	(2)
13	75	19	B4513075	(2)
13	100	19	B4513100	(2)
14	100	20	B4514100	(2)

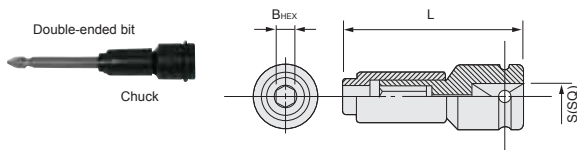
*Minimum order required : 100pcs./item.

ALLEN SOCKETS



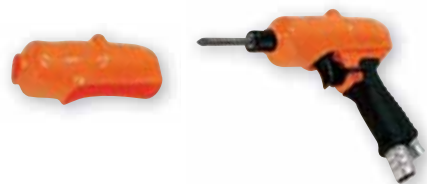
AC N°	Size					Models
	S (SQ) mm (in)	B(HEX) mm	L mm	ℓ mm	D mm	
HG-3-4	9.53 (3/8)	4	50	15	19	FPT-110-770
HG-3-5		5	50	17	19	FLT-4-1-9-1
HG-3-6		6	50	18	19	FL-4-1-9-1
HG-3-8		8	60	23	20	FPW-110-770
HG-3-10		10	60	27	20	FW-5, FW-6, 44-66
HG-4-6	12.7 (1/2)	6	60	18	25	FLT-11-1-20S-1
HG-4-8		8	60	23	25	FL-11-1-13-1
HG-4-10		10	68	27	27	FW-6PH-11, 8, 88
HG-4-12		12	68	30	27	FW-10, 14 except for FW-14PH-3
HG-4-14		14	78	40	28	

CHUCKS FOR WRENCHES FOR USE OF BITS



AC N°	Size			Models
	S (SQ) mm (in)	B (Hex) mm (in)	L mm	
DC-1	9.53 (3/8)	6.35 (1/4)	51	FPT-110, FLT-4-1-9-1 FPW-110, FL-4-1-9-1, FW-5, 6, 44-66
DC-2	12.7(1/4)	8.00 (5/16)	56	FLT-11-1-20S-1 - FL11-1-13-1 FW-6PH-11, 8, 88, 10, 14 except for FW-14PH-3

TOOL COVER FOR FPW SERIES



AC N°	Models
TCV-1	FL-5-1-6-1
TCV-2	FL-7-1