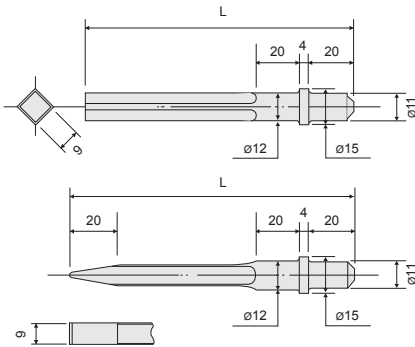


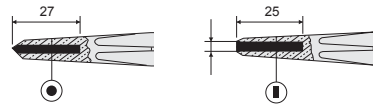
ACCESSORIES

CHISELS FOR FCH-20



Type	AC N°	Size
		L mm
Blank	G-1-1	125
	G-1-2	155
	G-1-3	200
	G-1-4	250
	G-1-5	300
Flat	G-2-1	130
	G-2-2	155
	G-2-3	200
	G-2-4	250
	G-2-5	300

TIPPED CHISELS FOR FCH-20



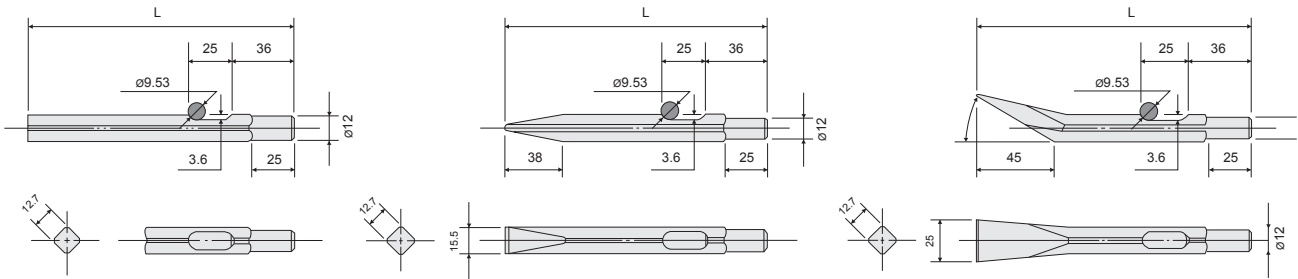
Type	AC N°	Overall Length	Remark
		mm	
Point	S-1	120	Standard
	S-3	160	Small Point
	S-2	120	Standard
Flat	S-4-1	160	Small Flat

BUSHING CHISELS FOR FCH-20



AC N°	Tip Size		
	Point	I x w x L	
TWH-0006	4	2.5 x 2.5 x 5	

CHISELS FOR FCH-20F, 25 AND 25B



Type	AC N°	Size
		L mm
Blank	F-1-1	140
	F-1-2	155
	F-1-3	200
	F-1-4	250
	F-1-5	300

Type	AC N°	Size
		L mm
Flat	F-2-2	155
	F-2-3	200
	F-2-4	250
	F-2-5	300
	F-2-7*	400

Type	AC N°	Size
		L mm
Flux	F-3-2	155
	F-3-3	200
	F-3-4	250
	F-3-5	300
	F-3-7	400

*Minimum order required : 10pcs. / item.

BUSHING CHISELS FOR FCH-20F, 25 AND 25B

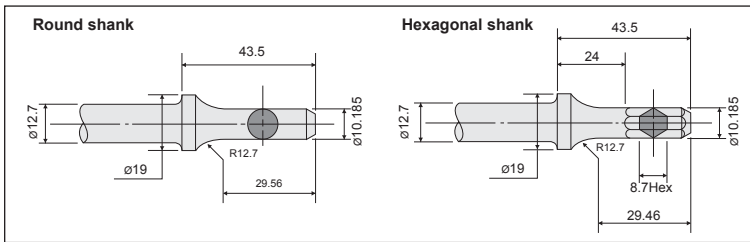


AC N°	Tip Size		
	Point	I x w x L	
TWH-0007	4	6 x 6 x 12	
TWH-0003	9	5 x 5 x 15	
TWH-0002	16	4 x 4 x 16	
TWH-0004	25	4.5 x 4.5 x 22.5	

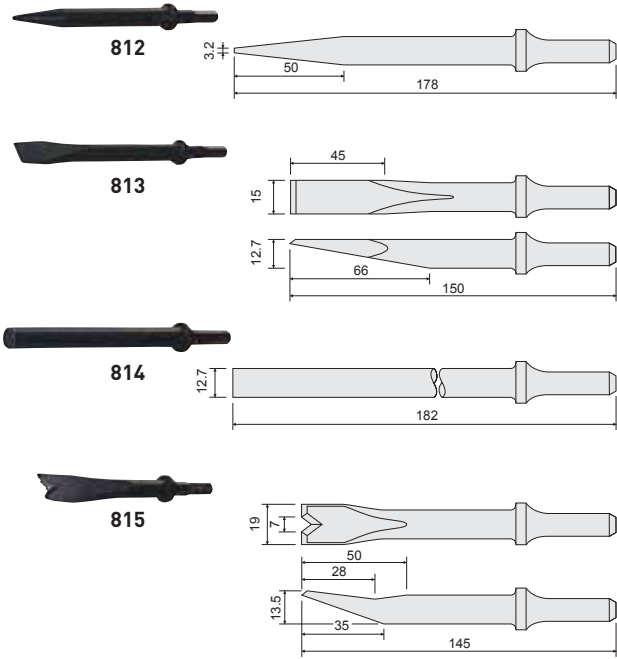
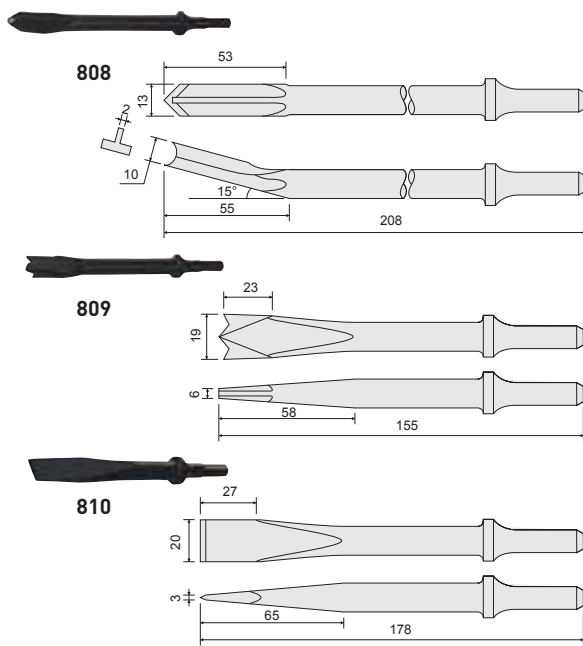
PERCUSSIVE TOOLS

ACCESSORIES

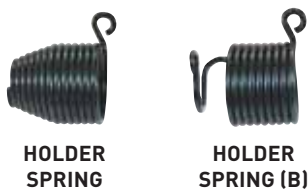
CHISELS FOR FRH SERIES



Type	AC N°		Part Name
	Round	Hexagonal	
808	WA-808	WA-808H	Muffler Cutter
809	WA-809	WA-809H	Double Edge Panel Cutter
810	WA-810	WA-810H	Flat Chisel
812	WA-812	WA-812H	Taper Punch
813	WA-813	WA-813H	Rivet Cutter
814	WA-814	WA-814H	Blank Chisel
815	WA-815	WA-815H	Spot Weld Breaker

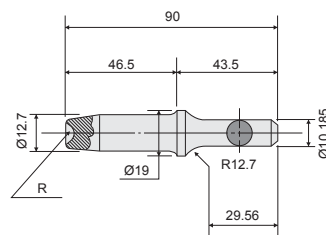


RETAINER FOR FRH AND FC-01SA SERIES



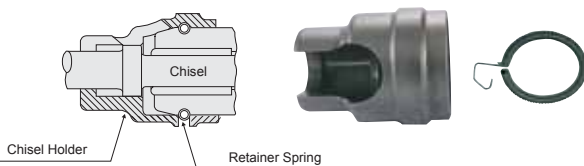
Part N°			Part Name
FC-01SA	FRH-3, 6	FRH-6A	
H-043715-00	H-019715-00	H-024715-00	Holder Spring
H-043719-00	H-019719-00	H-024719-01	Holder Spring (B)

RIVET SNAPS FOR FRH SERIES



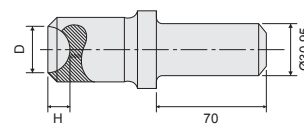
AC N°	R Size	
	mm	Rivet Size mm
SNAP-3	3.0	3
SNAP-4	3.7	4
SNAP-5	4.8	5
SNAP-6	5.1	6

CHISEL HOLDERS FOR FC SERIES



Part N°		Part Name
FC-01	FC-1Z~4Z	
H-059714-00	H-047714-01	Chisel Holder
H-059761-00	H-047761-00	Retainer Spring

BUTTON-HEAD RIVET SNAPS FOR B SERIES



AC N°	Button Head Rivet Rivet Diameter		Rivet Snap Dimensions (mm)	
	mm	in	D	H
SNAP-50	10	3/8	15.8	6.5
SNAP-51	13	1/2	20.5	8.3
SNAP-52	16	5/8	25.5	10.2
SNAP-53	19	3/4	29.5	12.5
SNAP-54	22	7/8	34.5	14.4
SNAP-55	25	1	39.5	16.2

ACCESSORIES

CHISELS FOR FC-SERIES

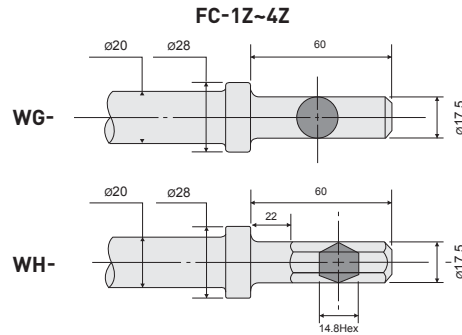
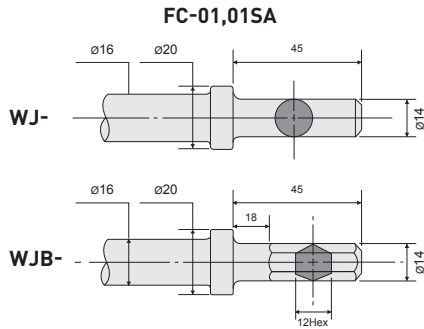
CHISELS / MODELS REFERENCE

	Shape of Chisel Bush	
WJ-	Round	FC-01-4
WJB-	Hex	FC-01-3

	Shape of Chisel Bush	
WG-	Round	FC-1Z-2~4Z-2
WH-	Hex	FC-1Z-1~4Z-1

	Chisel End Shape
P	Point
F	Flat
SL	Scaling

CHISELS SHANK SIZE



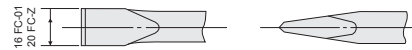
SHAPES OF CHISEL ENDS

BLANK CHISELS



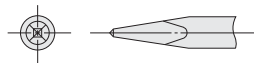
AC N°	Overall Length	Chisel Shank	Model
	mm		
WJ-8	200	Round	FC-01-4 FC-01SA
WJ-10	250		
WJ-12	300		
WJ-16	400		
WJB-8	200	Hex	FC-01-3 FC-01SA
WJB-10	250		
WJB-12	300		
WJB-16	400		
WG-10	250	Round	FC-1Z-2~ 4Z-2
WG-12	300		
WH-10	250	Hex	FC-1Z-1~ 4Z-1
WH-12	300		

FLAT CHISELS (F)



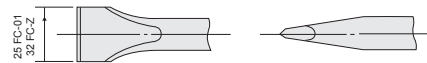
AC N°	Overall Length	Chisel Shank	Model
	mm		
WJ-8F	200	Round	FC-01-4 FC-01SA
WJB-8F	200	Hex	FC-01-3 FC-01SA
WJB-10F	250		
WG-8F	200	Round	FC-1Z-2~ 4Z-2
WG-10F	250		
WH-8F	200	Hex	FC-1Z-1~ 4Z-1
WH-10F	250		

POINT CHISELS (P)



AC N°	Overall Length	Chisel Shank	Model
	mm		
WJ-8P	200	Round	FC-01-4 FC-01SA
WJB-8P	200	Hex	FC-01-3 FC-01SA
WJB-10P	250		
WG-8P	200	Round	FC-1Z-2~ 4Z-2
WG-10P	250		
WH-8P	200	Hex	FC-1Z-1~ 4Z-1
WH-10P	250		

SCALING CHISELS (SL)



AC N°	Overall Length	Chisel Shank	Model
	mm		
WJ-8SL	200	Round	FC-01-4 FC-01SA
WJB-8SL	200	Hex	FC-01-3 FC-01SA
WJB-10SL	250		
WG-8SL	200	Round	FC-1Z-2~ 4Z-2
WG-10SL	250		
WH-8SL	200	Hex	FC-1Z-1~ 4Z-1
WH-10SL	250		

RUBBER BUTTS FOR FR-SERIES



Type	Size			Model
	D	d	H	
	mm	mm	mm	
R-1	51	11.8	60	FR-18B, 18L
R-1-1	41	12.7	47	FR-18B, 18L
R-2	51	13.75	60	FR-22B, 22L
R-3	67	17.25	80	FR-25B, 25L
R-4	75	18.75	92	FR-32