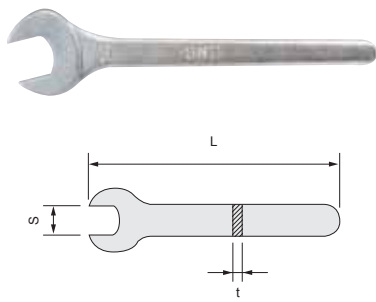


SPANNERS AND WRENCHES FOR MAINTENANCE

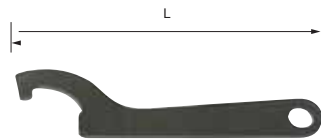
OPEN-END WRENCHES



| AC N° | Size | | | Models |
|---------|---------|---------|---------|--|
| | S mm | L mm | t mm | |
| F-100 | 5.5 | 81 | 2.5 | FBM-1-1, 1F, 2, 2F |
| F-101 | 8.0 | 80 | 3.0 | FG-13, 13X, TURBO-100 |
| F-102 | 9.5 | 80 | 1.5 | FCD-6A, 6B |
| F-103 | 10.0 | 80 | 3.0 | FRD-5P-1, 5S-1, 1F, 6PX-2, 3, 5, *F-6SM-12, 21, 28, 28R, FRD-6S-2, 3, 5 |
| F-103-1 | 10.0 | 105 | 4.0 | FBM-16, 24 |
| F-104 | 12.0 | 88 | 3.0 | FG-12U, 12UX, 25D, 25DX, 50D, 50DX, FRD-8PX-1, 2, *F-5SM-2, 8.5, *8SMA-12, 28 |
| F-105 | 14.0 | 100 | 3.0 | FG-12U, 12UX, 2VX-1F, 3VX-1F, 6F, 25D, 25DX, 50DX, 26, 26X, 50X, 50D, FA-2C, 2CX, TURBO-100A, FRD-6PX-7, 6S-7, 7F, 8PX-3, *F-6SM-2.5, 2.5R, *5, 8, F-6SE, 6SF, *8SM-8.5RA, *8SMA-8.5, 6PFX |
| F-106 | 17.0 | 130 | 3.0 | FRD-16Z, FCD-6X, F-10MT |
| F-117-1 | 17.0 | 150 | 6.0 | FBM-300 |
| F-107 | 19.0 | 130 | 3.0 | FCD-10X, FA-2C, 2CX, FT-8PX, FBM-80A |
| F-117 | 21.0 | 180 | 5.0 | FG-3H, 3HL, 4HL, 50L, 50Y |
| F-109 | 24.0 | 200 | 4.0 | FA-5E-3 Series, 7E-5, 6, 8 Series, FV-7, 9BH-1M, FX-027-1, FA-6C-6M, 8M, 9M, 9C-4, 4M |
| F-110 | 26.0 | 170 | 4.5 | FA-150KG-5, 7, FA-5E-1, 2, 8, 13 Series, FA-7E-1, 2, 3 Series, 6C-1, 10, 12, 12M, 20, 9C-2, 2M, 7C-21 |
| F-111 | 27.0 | 170 | 4.5 | FG-5PX, FD-4, 4P |
| F-112 | 32.0 | 170 | 4.5 | FG-3VX-2F, 3F, 4H, 4VA, 5HL, FA-4C, 4CH, 4CHK-1, FD-5, 5P |
| F-113 | 41.0 | 180 | 4.0 | FV-9BH-4M, FRC-300-1 |

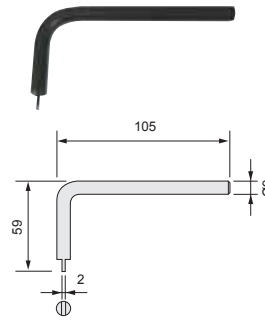
* = Thread Spindle type

HOOK SPANNERS



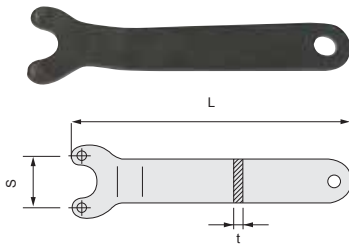
| AC N° | Size | | Models |
|-------|---------|---------|----------------------|
| | S mm | L mm | |
| F-401 | 130 | 2 | FD-4P, 4 |
| F-402 | 160 | 2 | FD-5P, 5 |
| F-404 | 135 | 4.5 | FA-3C, 3CX |
| F-405 | 170 | 4.5 | FA-4CHK-3, 150K-2, 3 |

ANGLE WRENCH



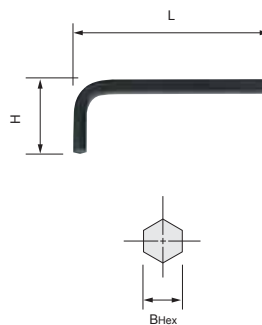
| AC N° | Models |
|-------|----------|
| F-601 | FD-5, 5P |

OPEN-END PIN WRENCHES



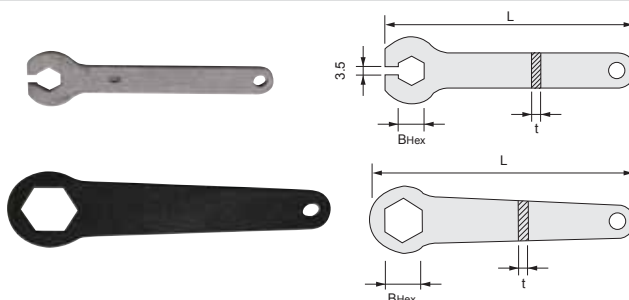
| AC N° | Size | | | Models |
|-------|---------|---------|---------|---|
| | S mm | L mm | t mm | |
| F-201 | 16 | 130 | 4.0 | FG-5PX |
| F-202 | 30 | 160 | 4.5 | FV-9BH-4M |
| F-203 | 32 | 180 | 4.5 | FA-6C, 9C, 5E-13 Series, 7E-5, 6, 8 Series, FV-7-1M, 2M, 4M, 9BH-1M |

HEXAGONAL PIN WRENCHES



| AC N° | Size | | |
|---------|--------------|-----|---------|
| | B(Hex) mm | in | L mm |
| F-701-2 | 1.27 | - | 45 |
| F-701 | 1.5 | - | 52 |
| F-701-1 | 1.5 | - | 52 |
| F-712 | 2.0 | - | 58 |
| F-702-1 | 2.0 | - | 60 |
| F-702 | 2.5 | - | 60 |
| F-703 | 3.0 | - | 65 |
| F-704 | 4.0 | - | 72 |
| F-705 | 5.0 | - | 80 |
| F-706 | 6.0 | - | 90 |
| F-707 | - | 1/4 | 90 |
| F-708 | 8.0 | - | 100 |
| F-710 | - | 3/8 | 112 |
| F-709 | 10.0 | - | 112 |

HEXAGONAL WRENCHES



| AC N° | Size | | | Models |
|-------|--------------|---------|---------|-----------------------------|
| | B(Hex) mm | L mm | t mm | |
| F-301 | 8 | 80 | 3 | TURBO-100, FG-06-1, 13, 13X |
| F-304 | 9 | 100 | 3 | FG-06-1 |
| F-306 | 14 | 101 | 4 | TURBO-100A |
| F-302 | 17 | 135 | 2 | FD-4P, 4 |
| F-303 | 21 | 138 | 2 | FD-5P, 5 |